

ACHIEVE CONSOLE

LEDT-XXXXXX-XX, CCDT-XXXXXX-XX, LEDN-XXXXXX-XX, CCDN-XXXXXX-XX

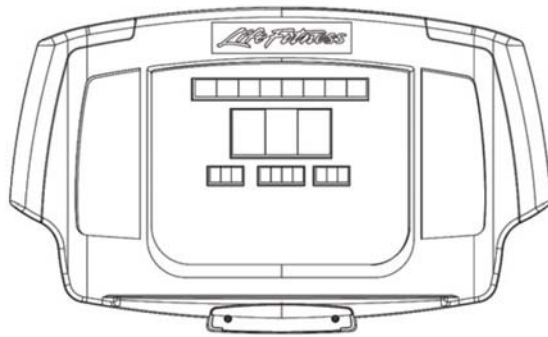
PARTS MANUAL

01.13.13

Table of Contents

Console Assemblies and Hardware.	2
PCB and Cable Locator.	4
PCBs and Mounting Hardware.	5
Cables	6

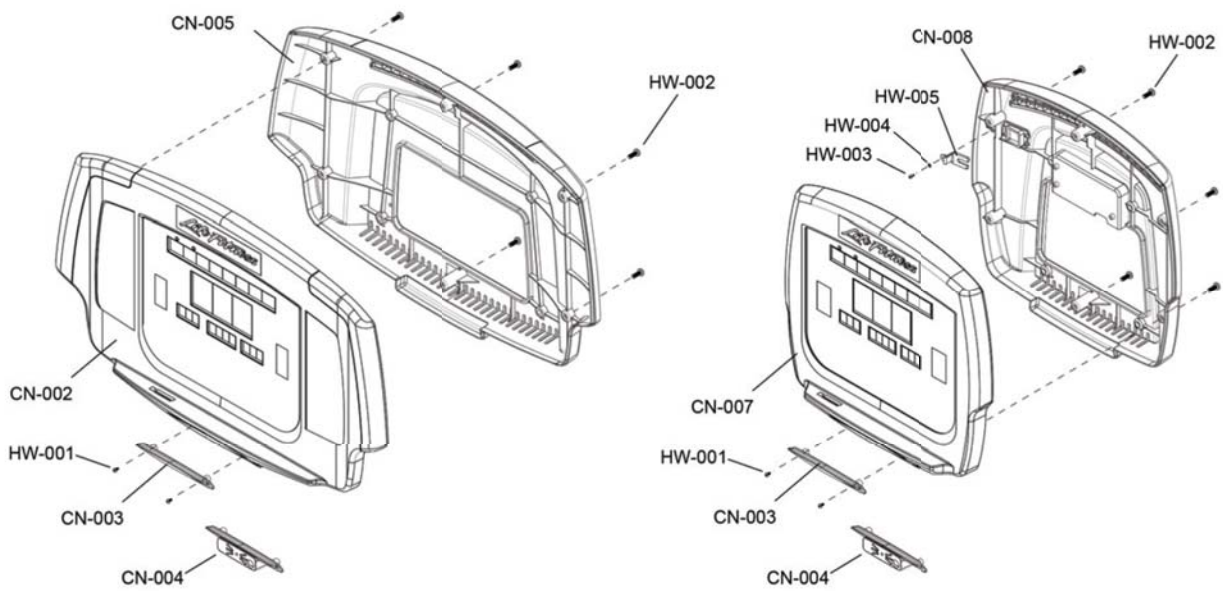
Console Assemblies and Hardware



CN-001



CN-006



Console Parts List

Item	Alpha Code	Part Number	Description
CN-001	LED	LEDT-DOMXX-01	LED TREADMILL CONSOLE DOM
	LET	LEDT-INTXX-01	NC LED TREADMILL CONSOLE INT
	LEF	LEDT-IFIXX-01	IFI LED TREADMILL CONSOLE
	CCT	CCDT-INTXX-01	CCD TREADMILL CONSOLE INT
	LDT	LEDT-DOMXX-02	LED ACHIEVE TREADMILL CONSOLE DOM
	LDI	LEDT-INTXX-02	LED ACHIEVE TREADMILL CONSOLE INT
	LDI	LEDT-IFIXX-02	IFI LED CONSOLE CHGR
CN-002	LED	GK70-00002-0003	OVERLAY / BEZEL / SWITCH ASSY: LEDT / DOM KIT
	LET	GK70-00002-0004	OVERLAY / BEZEL / SWITCH ASSY: LEDT / INT KIT
	LEF	GK70-00002-0008	IFI CONS-SERVICE ASSY; LED; TREAD; BEZEL, KEYPAD AND OVERLAY
	CCT	GK70-00002-0010	OVERLAY / BEZEL / SWITCH ASSY: NDT TREADMILL

Console Parts List (Continued)

Item	Alpha Code	Part Number	Description
CN-003*	LED, LET, LEF, CCT, LEN, LEI, LEM, CCN	0K70-01039-0000	PANEL: COVER, ABSPC
	LDD, LDT, LDI, LDN, LDX	0K70-01039-2400	
CN-004	LED, LET, LEF, CCT, LEN, LEI, LEM, CCN, LDD, LDT, LDI, LDN, LDX	0K70-01052-0000	PANEL: WIRED REMOTE CONTROL MOUNT
CN-005	LED, LET, LEF, CCT	AK70-00014-0000	ASSY: CONSOLE BACK CASE / FASTENER; Ti / Te, PURCH
	LDT, LDI	AK70-00014-2400	
CN-006	LEN	LEDN-DOMXX-01	LED BIKE / CT CONSOLE DOM
	LEI	LEDN-INTXX-01	LED BIKE / CT CONSOLE INT
	LEM	LEDN-IFIXX-01	IFI LED BIKE / CT CONSOLE
	CCN	CCDN-INTXX-01	CCD BIKE / CT CONSOLE INT
	LDD	LEDN-DOMXX-02	LED ACHIEVE BIKE / CT CONSOLE DOM
	LDN	LEDN-INTXX-02	LED ACHIEVE BIKE / CT CONSOLE INT CHGR
	LDX	LEDN-IFIXX-02	IFI LED BIKE / CT CONSOLE CHGR
CN-007	LEN	GK70-00002-0001	OVERLAY / BEZEL / SWITCH ASSY: LEDN / DOM KIT
	LEI	GK70-00002-0002	OVERLAY / BEZEL / SWITCH ASSY: LEDN / INT KIT
	LEM	GK70-00002-0007	IFI CONS-SERVICE ASSY; LED; NON-TREAD; BEZEL, KEYPAD AND OVERLAY
	CCN	GK70-00002-0009	OVERLAY / BEZEL / SWITCH ASSY: NDT BIKE / CT
CN-008	LEN, LEI, LEM, CCN	AK70-00017-0000	ASSY: CONSOLE BACK CASE / FASTENER; NON-TREAD PURCH
	LDD, LDN, LDX	AK70-00017-2400	

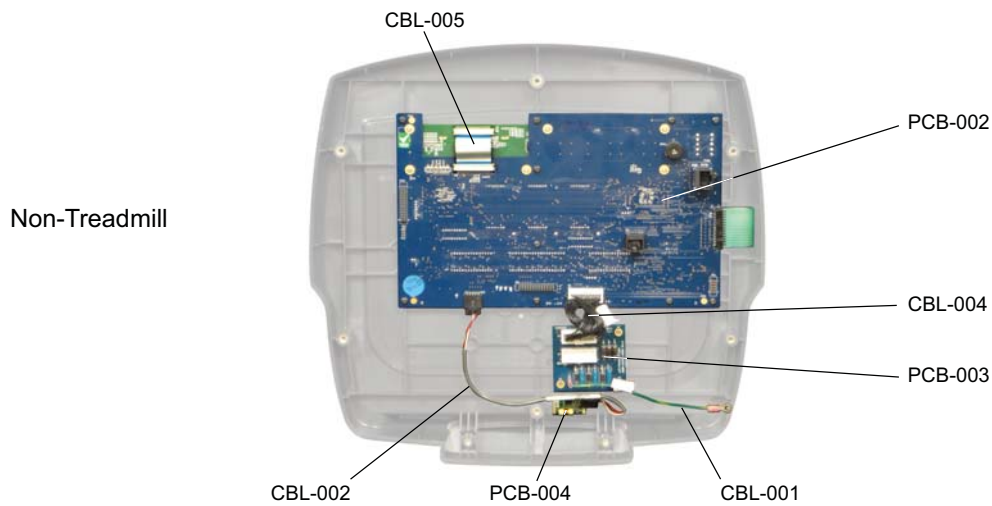
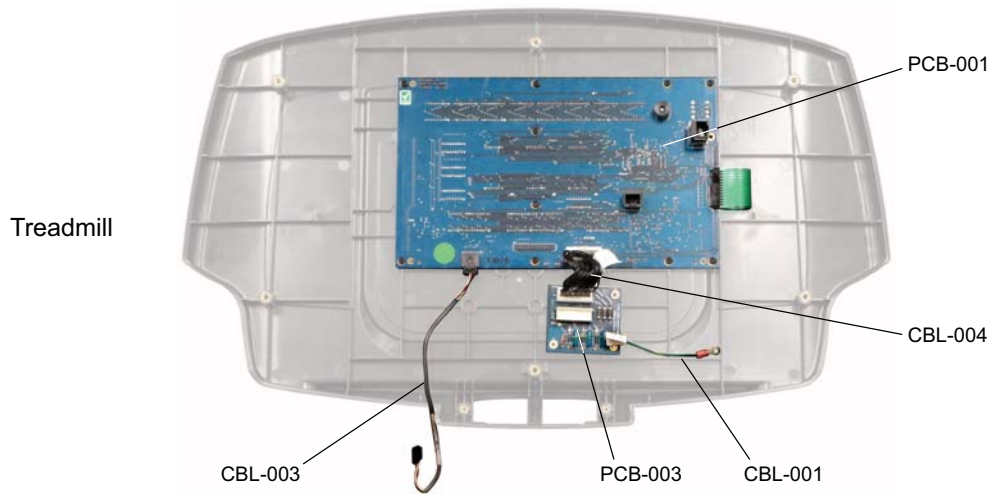
* This part not available for purchase. Reuse when replacing Overlay / Bezel / Switch Assembly (Item CN-002)

Hardware Parts List

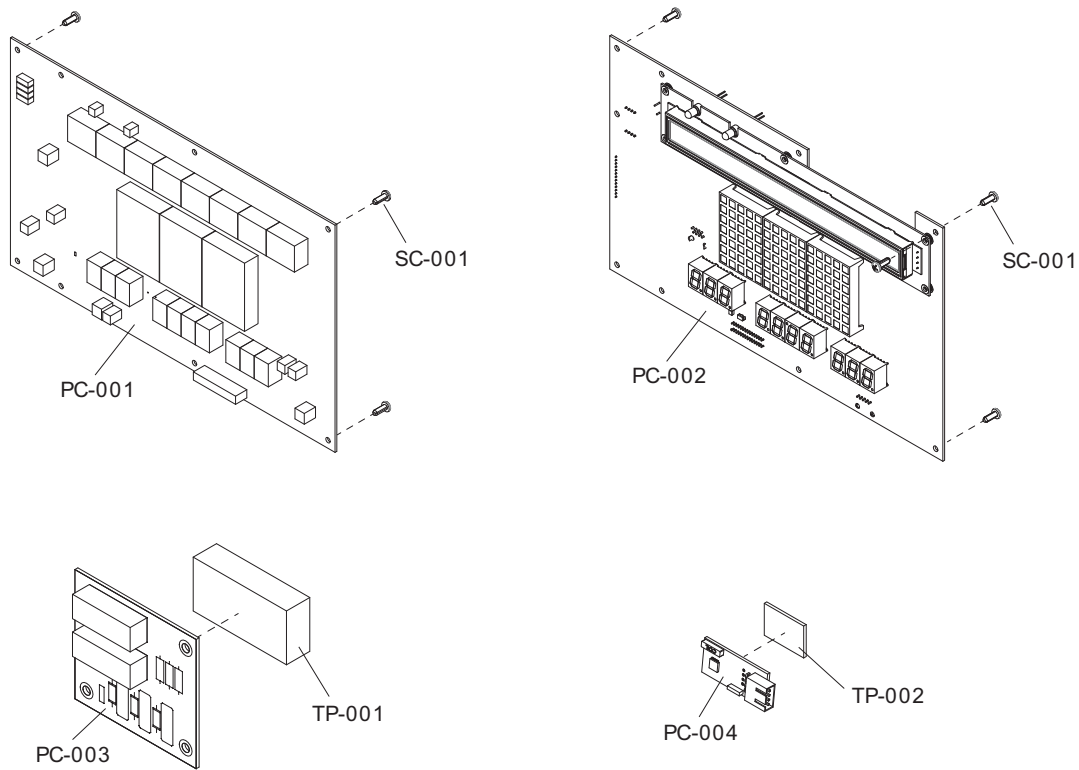
Item	Alpha Code	Part Number	Description
HW-001	LED, LET, LEF, CCT, LEN, LEI, LEM, CCN LDD, LDT, LDI, LDN, LDX	0017-00101-1938	M3.0X.5-6g6g X 8.0 DIN PHL S PAN MS ST SS
HW-002	LED, LET, LEF, CCT, LEN, LEI, LEM, CCN, LDD, LDT, LDI, LDN, LDX	0017-00101-1972	M5 X .8-6g6g X 14 DIN PHL PAN MS ST ZB
HW-003	LEN, LEI, LEM, CCN, LDD, LDN, LDX	0017-00101-1650	VMI 6-19 X 6 PHL PAN PLT ST BZ B
HW-004	LEN, LEI, LEM, CCN, LDD, LDN, LDX	0017-00104-0456	WSH 6 156-.310-030 FL-D ST ZN B
HW-005	LEN, LEI, LEM, CCN	0K70-01008-0000	DOOR: CSAFE
	LDD, LDN, LDX	0K70-01008-2400	

PCB and Cable Locator

Use this *PCB and Cable Locator* in conjunction with the *PCB and Associated Hardware and Cable* sections on the following pages. These illustrations are for reference only. Actual parts may look different than shown.



PCBs and Mounting Hardware



PCB Parts List (ALL)

Item	Alpha Code	Part Number	Description
PC-001	LED, LET, LEF, LDT, LDI	A084-92350-0000	GEMINI CONSOLE BOARD; TREAD
	LEN, LEI, LEM, LDD, LDN, LDX	A084-92350-0100	GEMINI CONSOLE BOARD; NON-TREAD
PC-002	CCT	A084-92360-0000	GEMINI CONSOLE w/LCD MODULE; TREAD
	CCN	A084-92360-0100	GEMINI CONSOLE w/LCD MODULE; NON-TREAD
PC-003	LED, LET, LEF, CCT, LDT, LDI	B084-92355-0000	LIFEPULSE ESD BOARD; TREAD
	LEN, LEI, LEM, CCN, LDD, LDN, LDX	B084-92355-0001	LIFEPULSE ESD BOARD; NON-TREAD
PC-004	LEN, LEI, LEM, CCN, LDD, LDN, LDX	118E-00001-0244	HEART RATE RECEIVER: CODED; RE07L

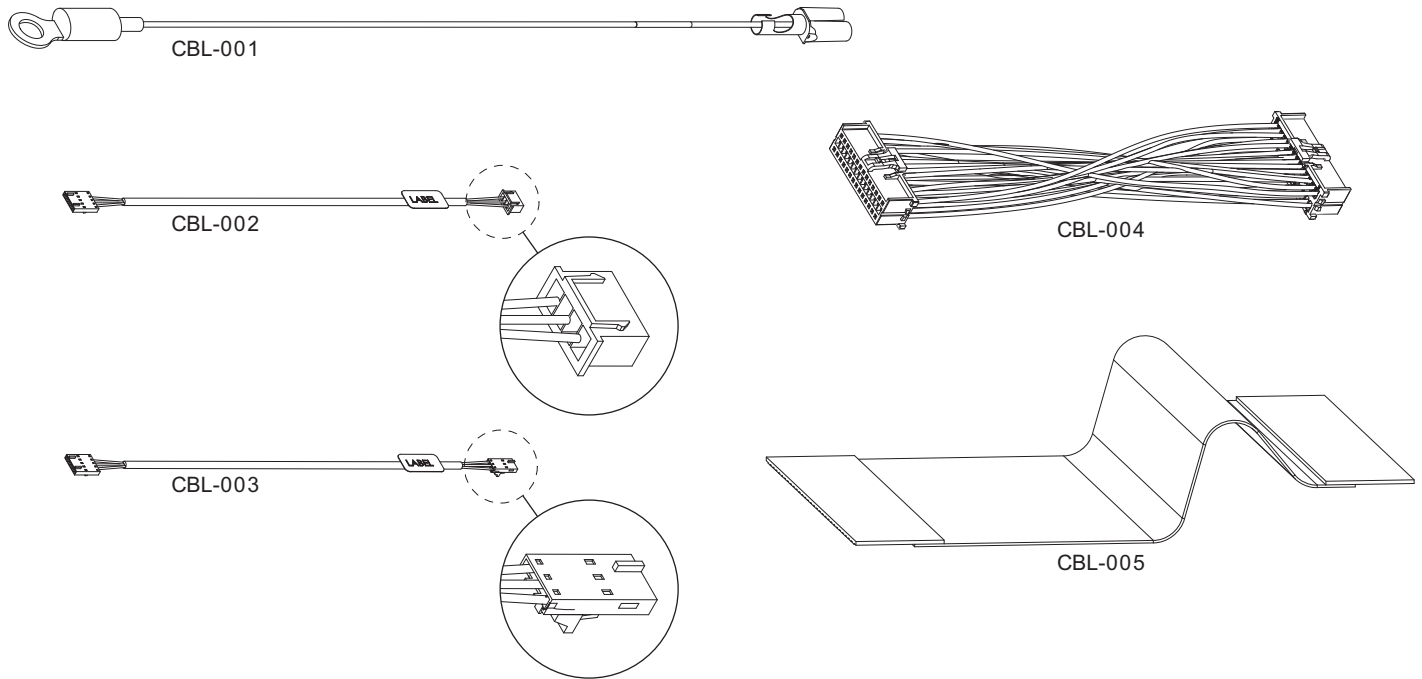
Mounting Hardware (Screws)

Item	Alpha Code	Part Number	Description
SC-001	LED, LET, LEF, CCT, LEN, LEI, LEM, CCN, LDT, LDI, LDD, LDN, LDX	0017-00101-1650	VMI 6-19 X 6 PHL PAN PLT ST BZ B

Tape

Item	Alpha Code	Part Number	Description
TP-001	LED, LET, LEF, CCT, LEN, LEI, LEM, CCN, LDT, LDI, LDD, LDN, LDX	0K70-01069-0000	TAPE: FOAM DOUBLE SIDED
TP-002	LEN, LEI, LEM, CCN, LDD, LDN, LDX	0K39-01044-0000	DOUBLE SIDED TAPE

Cables



Parts List

Item	Alpha Code	Part Number	Description
CBL-001	LED, LET, LEF, CCT, LEN, LEI, LEM, CCN, LDD, LDT, LDI, LDN, LDX	AK65-00103-0003	CBL ASSY GROUND ESD
CBL-002	LEN, LEI, LEM, CCN, LDD, LDN, LDX	AK69-00119-0000	CBL ASSY: POLAR PCB TO MIB
CBL-003*	LED, LET, LEF, CCT, LDT, LDI	AK70-00037-0000	CABLE ASSY: POLAR EXTENSION
CBL-004	LED, LET, LEF, CCT, LEN, LEI, LEM, CCN, LDD, LDT, LDI, LDN, LDX	AK70-00063-0000	CBL-ASSY; CONSOLE; ESD
CBL-005	CCT, CCN	118E-00001-0252	CBL:FLAT-FLEX, FFC, 1MM PITCH, 30 PIN

* This item is not included with Overlay / Bezel Assemblies for Treadmills.